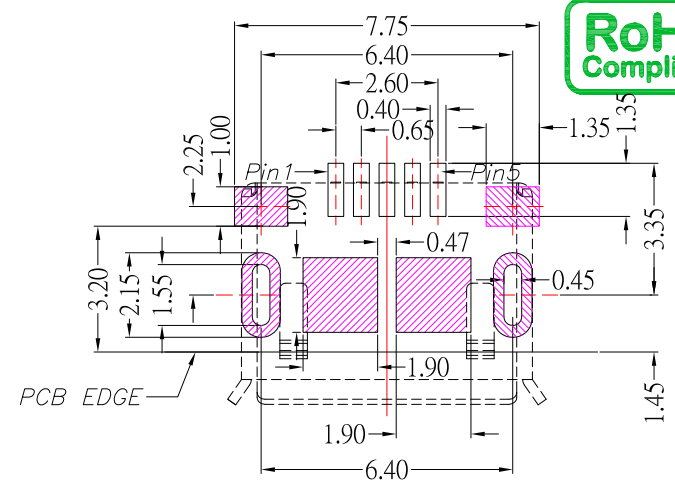
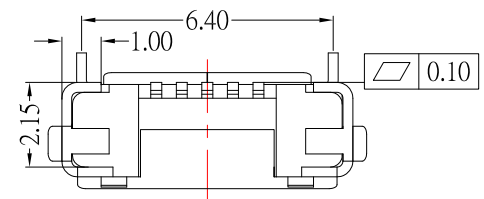




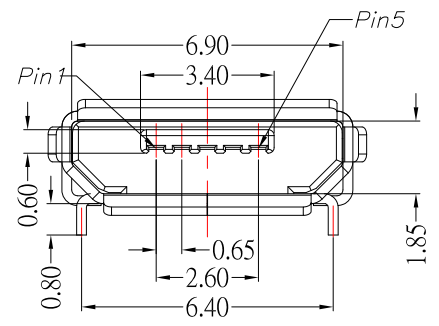
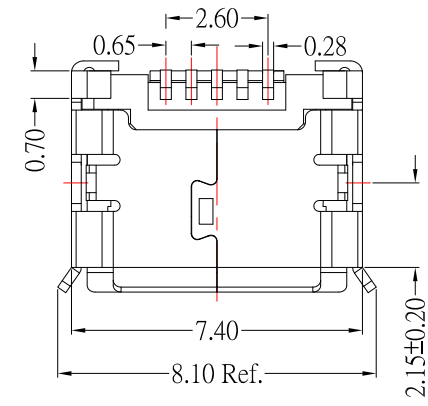
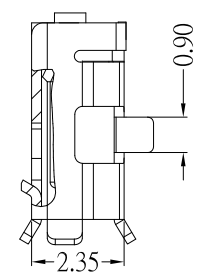
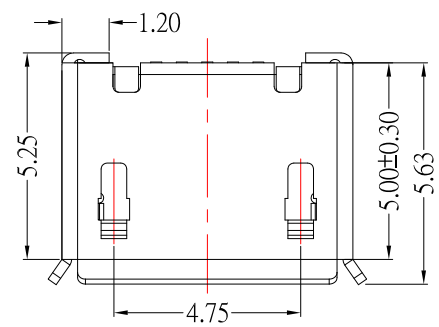
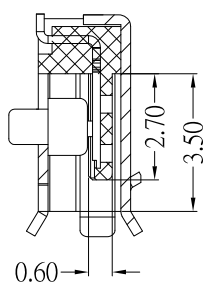
MRUSB-5B-D4x-S347

SHELL 鍍層:

TN
NI



P.C.B LAYOUT MOUNTING PATTERN



NOTES:

MATERIAL:

- 1.1 HOUSING: LCP
- 1.2 CONTACT: PHOSPHOR BRONZE
- 1.3 SHELL: BRASS

Finish:

- 2.1 Contact: Plated Gold in Mating Area ;
Gold Plated on Solder Balls
Nickel under plated overall

3.SPECIFICATION:

- 3.1 CURRENT RATING: PIN(1,5)1.8A MAX ; PIN(2,3,4)1.0 A MAX
- 3.2 DIELECTRIC WITHSTANDING VOLTAGE: 100 V(ac) FOR 1min
- 3.3 CONTACT RESISTANCE: 30 mΩ MAX.
- 3.4 INSULATION RESISTANCE: 100 MΩ MIN.
- 3.5 TOTAL MATING FORCE: 3.57 Kgf MAX.
- 3.6 TOTAL UNMATING FORCE: 1.0 Kgf MIN.
- 3.7 TEMPERATURE RANGE: -30°C ~ +80°C



TOLERANCE UNLESS OTHERWISE STATED:

Up to 5	±0.2
Above 5 ~ 15	±0.3
Above 15 ~ 30	±0.4
Above 30 ~ 50	±0.5
Angle	±0.3°

3RD. ANGEL'S



DRAWN BY:	DATE	MAT'L	TITLE	CONNECTOR
Jack Lu	10/21/20			
CHECKED BY:	DATE	FINISH	MODLE	MICRO USB 5BF 前插(6.4)後貼無柱
Jacky Chen	10/21/20			
APPROVED BY:	DATE	SCALE	DWG NO.	MRUSB-5B-D4x-S347
Tony Kao	10/21/20	1 : 1	PART NO.	MRUSB-5B-D4x-S347
		SHEET NO.	1 of 1	
				SIZE A4
				VER R2

2	更新圖面	Jack	102120
1	更新圖面	Jack	120717
ITEM NO.	DESCRIPTION	DRAWN	DATE